

Accessory

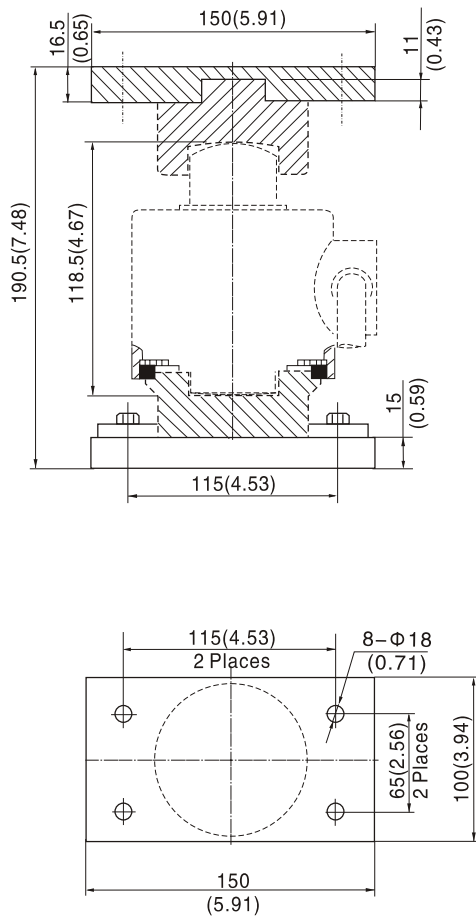
HM-14-403

Capacity 10t-50t
Part number HM-14-403-10/50t

- Features:**
- Compact construction, easy installation
 - With self-aligning ability



Outline Dimension mm(inch)



Installation

