

Load Cell Mounting Assembly for Models 355, 3410, 3420 and 3510

FEATURES

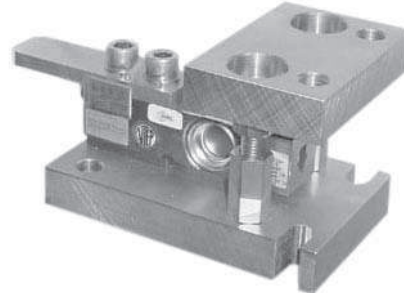
- Simplifies load cell installation on tanks, silos, and other weighing vessels
- 3 models suitable for load cell Models 3510, 3410, 3420, and 355
- Accepts load cells ranging in capacity from 5 to 5,000 kg
- Permanent protection against load cell damage
- Grounding strap provides low resistance path to minimize electrical potentials
- Provision for thermal expansion, contraction and lift-off due to winds or collision
- Cable gland protector prevents cable damage
- Stainless steel construction
- Internal jack for load cell easy installation and replacing
- Ball and cup version also available

APPLICATIONS

- Hostile environments applications
- Process control
- Batch weighing
- Silo/hopper weighing
- Belt scale weighing

DESCRIPTION

The CellMate™ is a superior load cell mounting assembly that dramatically simplifies load cell installation.

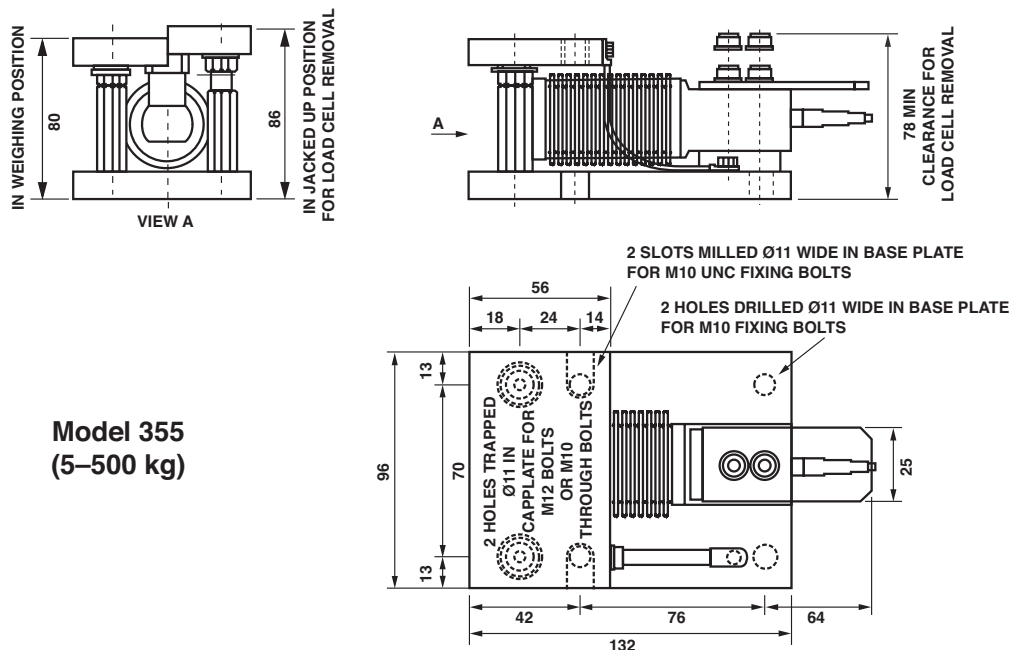


A perfect solution to vessel weighing in dairies, chemical, bottling, and food processing plants, stainless steel CellMate™ mounts can be used on tanks, silos, and many other weighing vessels and applications.

The CellMate™ family of mountings also provides an unparalleled degree of protection for load cells and maintains a permanent load cell safety system, reducing load cell damage and plant down-time.

CellMate™ assemblies are available in three models with weighing capacities from 5 to 5000 kg in stainless steel. Standard dimensions and hole sizes provide for fast and easy placement of load cells. Ideal for use with Tedea-Huntleigh's line of hermetically sealed shear and bending beam load cells. CellMate™ includes an internal jack which enables users to install the fittings on silos or tanks with or without load cells.

OUTLINE DIMENSIONS in millimeters



Load Cell Mounting Assembly for Models 355, 3410, 3420 and 3510

OUTLINE DIMENSIONS in millimeters

