

SBT500-2000

"SBT" SERIES SHEAR BEAM NIKEL-PLATED LOAD CELLS, from 500kg to 2000kg



Dini Argeo nickel-plated approved load cells. The measures are compatible with the main shear beam load cells present on the market. They are suitable for creating CE-M approved scales with 4 load cells or for weighing conveyors, tanks and hoppers, thanks to their accessories.

CAPACITIES (kg): 500, 1000, 2000.

OIML R60 approved, NTEP, ATEX 3GD.

Nickel-plated steel. IP67 protection.

Working in cooperation with:

VAHY ROBIN S.R.O.

U SOKOLOVNY 115 - 66434 - MORAVSKE KNINICE - CZECH REPUBLIC
Tel. 00420-777433576
vahyrobin@seznam.cz

The best solution
for advanced industrial
applications

MAIN FEATURES

- C3 PRECISION CLASS
- NIKEL-PLATED CONSTRUCTION
- POTTED SEAL, IP67 PROTECTION
- MAX. CAPACITIES FROM 500 TO 2000 kg
- SHIELDED CONNECTION CABLE
- TEST CERTIFICATE AVAILABLE UPON REQUEST

TECHNICAL FEATURES

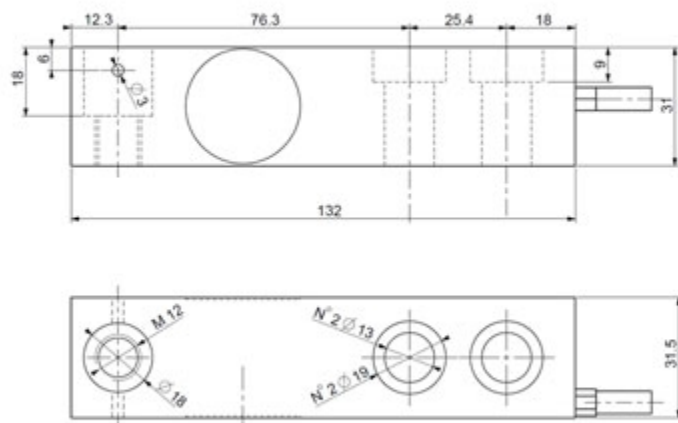
- Minimum load cell verification interval $V_{min} = E_{Max} / 10.000$
- Maximum number of verification intervals $n_{LC} = 3000$
- Combined error 0,017% of Full Scale Output (F.S.)
- Nonlinearity $\pm 0.02\%$ FS
- Hysteresis $\pm 0.02\%$ FS
- Repeatability $\pm 0.01\%$ FS
- Full Scale Output $2mV/V \pm 0.5\%$
- Zero balance $\pm 1\%$ FS
- Compensated Temperature Range $-10^{\circ}C/+50^{\circ}C$.
- Operating Temperature Range $-20^{\circ}C/+60^{\circ}C$.
- Creep error after 30 minutes $<0,02\%$ F.S.
- Maximum tolerated excitation voltage 15 Vdc
- Input Resistance 380 ± 20 Ohm
- Output Resistance 350 ± 5 Ohm
- Insulation Resistance >5000 MOhm
- Safe Overload 150% F.S.
- Ultimate Overload 300% F.S.
- 6-wire shielded cable, 3.5m long, 5 mm diameter

ATEX VERSION

- The CCATEX certificate makes the load cell suitable for use in hazardous areas with protection methods according to: ATEX II 3G Ex ic IIC T6 (Ta $-20^{\circ}C/+65^{\circ}C$) Gc
ATEX II 3G Ex nA IIC T6 (Ta $-20^{\circ}C/+65^{\circ}C$) Gc
ATEX II 3D Ex tc IIIC T85°C (Ta $-20^{\circ}C/+65^{\circ}C$) Dc IP65.
The certificate includes the manual and the ATEX CE conformity declaration (available in EN, DE, FR, and IT).
IMPORTANT: the certificate refers to the single load cell. For systems with more load cells, it is necessary to order one certificate for each load cell.

DIMENSIONS - DECODING STANDARD CABLE

- NOTE: dimensions in mm



- Decoding of the standard cable colours

Colour	Function
--	SHIELD
YELLOW	OUTPUT +
GREY	SENSE +
BROWN	INPUT +
WHITE	OUTPUT -
GREEN	INPUT -
PINK	SENSE -

VERSIONS

Available versions

Codice	Max (kg)
SBT500 M	500
SBT1000 M	1000
SBT2000 M	2000



www.diniargeo.com



“YOUR WORLDWIDE PARTNER FOR WEIGHING,”

DINI ARGEO
FRANCE sarl
Nogent-sur-Marne

DINI ARGEO
GMBH
Sinsheim - Germany

DINI ARGEO
UK Ltd
Taunton - United Kingdom

DINI ARGEO WEIGHING
INSTRUMENTS Ltd
Shanghai - China

DINI ARGEO
WEIGHBRIDGES
Calto (RO) – Italy



HEAD OFFICE
Via Della Fisica, 20
41042 Spezzano di Fiorano - Modena - Italy



VAHY ROBIN S.R.O.

U SOKOLOVNY 115 - 66434 - MORAVSKE KNINICE - CZECH REPUBLIC

Tel. 00420-777433576

vahyrobin@seznam.cz

SALES AND TECHNICAL ASSISTANCE SERVICE