

Single Ended Load Beam



FEATURES

- Capacities: 5 - 500kg
- Fully welded, stainless steel construction
- Hermetically sealed, IP66 and IP68
- Certified to OIML R-60, 4000d and NTEP class III, 10000 divisions
- Current calibration output (SC version) ensures easy and accurate parallel connection of multiple load cells

OPTIONAL FEATURE

- ATEX and FM certified versions are available for use in potentially explosive atmospheres

DESCRIPTION

The SHBxR is a fully weld-sealed stainless steel bending beam type load cell.

This product is suitable for low capacity platform scales, packaging machines, hybrid scales and process weighing.

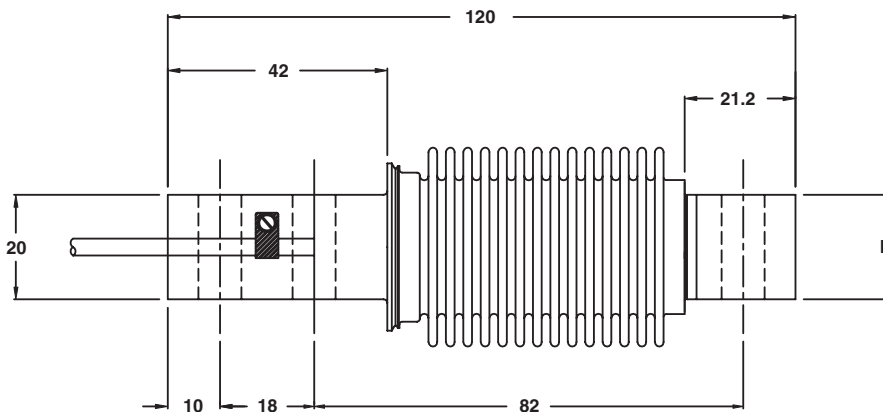
Fully welded construction and water block cable-entry ensure that this product can be used successfully in harsh environments found in the food, chemical and allied industries.

This product meets the stringent Weights and Measures requirements throughout Europe.

APPLICATIONS

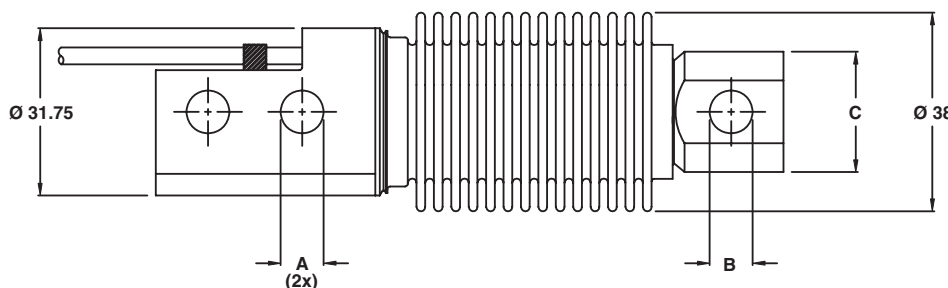
- Platform scales
- Belt scales
- Packaging machines
- Silo/hopper weighing

OUTLINE DIMENSIONS in millimeters



Capacity (kg)	5 - 200	350 / 500
A	8.2	10.3
B	8.2 ^{+0.1} ₀	10.3 ^{+0.1} ₀
C	23.0	24.0
D	20.0	19.0

Note: Dimensions in millimeters



Cable specifications:

Cable length	3m
Excitation +	Green
Excitation -	Black
Output +	White
Output -	Red
(Sense +)	Yellow
(Sense -)	Blue
Shield	Transparent

4-wire cable standard,
6-wire cable optional



SPECIFICATIONS

PARAMETER	VALUE					UNIT
Standard capacities (E_{max})	5, 10, 20, 30, 50, 100, 200, 350, 500*				100, 200, 350, 500**	kg
Accuracy class according to OIML R-60 /NTEP	NTEP III L	Non-Approved	C3	C4	C3MI7.5	
Max. no. of verification intervals	10000		3000	4000	3000	
Min. verification interval ($V_{min}=E_{max}/Y$)			$E_{max}/15,000$	$E_{max}/15,000$	$E_{max}/15,000$	
MDLOR ($Z=E_{max}/2*DR$)					7500	
Rated output (=S)	2					mV/V
Rated output tolerance	0.02					±mV/V
Zero balance	1.0					±% FSO
Combined error	0.0200	0.05000	0.0200	0.0170	0.0200	±% FSO
Non-repeatability	0.0100	0.0200	0.0100	0.0090	0.0100	±% FSO
Minimum dead load output return*	0.0250	0.0500	0.0167	0.0125	0.0067	±% applied load
Creep error (30 minutes) ¹		0.0600	0.0245	0.0184	0.0245	±% applied load
Creep error (20 - 30 minutes) ¹	0.0300	0.0500				±% applied load
Temp. effect on min. dead load output	(0.0008)	0.0250	0.0047	0.0047	0.0047	±% FSO/5°C (°F)
Temperature effect on sensitivity	(0.0010)	0.0250	0.0050	0.0045	0.0050	±% applied load/5°C (°F)
Minimum dead load	0					% E_{max}
Maximum safe over load	150					% E_{max}
Ultimate over load	300					% E_{max}
Maximum safe side load	100					% E_{max}
Deflection at E_{max}	0.30±0.03					mm
Excitation voltage	5 to 12					V
Maximum excitation voltage	15					V
Input resistance	460±50					Ω
Output resistance	350±3.5					Ω
Insulation resistance	≥5000					MΩ
Compensated temperature range	-10 to +40					°C
Operating temperature range	-40 to +80					°C
Storage temperature range	-40 to +90					°C
Element material (DIN)	Stainless steel 1.4542					
Sealing (DIN 40.050 / EN60.529)	IP66 and IP68					
SC-Version (current calibration)	Standard					
Recommended torque on fixation bolts	23 (70 for 350/500kg)					N*m

* 5 & 10kg capacities are not approved by NTEP.

5 kg is not approved by OIML.

** $D_{max} = 0.75 * E_{max}$.

FSO-Full Scale Output

SC-version: The rated output and the output resistance are balanced in such a way, that the output current is calibrated to within 0.05% of a reference value. This allows easy parallel connection of the load cells.

VISHAY TRANSDUCERS (VT) SALES OFFICES

VT Americas
City of Industry, CA
PH: +1-626-858-8899
FAX: +1-626-332-3418
vt.us@vishaymg.com

VT Netherlands
Breda
PH: +31-76-548-0700
FAX: +31-76-541-2854
vt.nl@vishaymg.com

VMG UK
Basingstoke
PH: +44-125-646-2131
FAX: +44-125-647-1441
vt.uk@vishaymg.com

VMG Israel
Netanya
PH: +972-9-863-8888
FAX: +972-9-863-8800
vt.il@vishaymg.com

VMG Germany
Heilbronn
PH: +49-7131-3901-260
FAX: +49-7131-3901-2666
vt.de@vishaymg.com

VT China
Tianjin
PH: +86-22-2835-3503
FAX: +86-22-2835-7261
vt.prc@vishaymg.com

VMG France
Chartres
PH: +33-2-37-33-31-20
FAX: +33-2-37-33-31-29
vt.fr@vishaymg.com

VT Taiwan*
Taipei
PH: +886-2-2696-0168
FAX: +886-2-2696-4965
vt.roc@vishaymg.com
*Asia except China



Notice

Specifications of the products displayed herein are subject to change without notice. Vishay Intertechnology, Inc., or anyone on its behalf, assumes no responsibility or liability for any errors or inaccuracies.

Information contained herein is intended to provide a product description only. No license, express or implied, by estoppel or otherwise, to any intellectual property rights is granted by this document. Except as provided in Vishay's terms and conditions of sale for such products, Vishay assumes no liability whatsoever, and disclaims any express or implied warranty, relating to sale and/or use of Vishay products including liability or warranties relating to fitness for a particular purpose, merchantability, or infringement of any patent, copyright, or other intellectual property right.

The products shown herein are not designed for use in medical, life-saving, or life-sustaining applications. Customers using or selling these products for use in such applications do so at their own risk and agree to fully indemnify Vishay for any damages resulting from such improper use or sale.