

RoHS



- Aluminium-Alloy IP65 single point load cell
- Colourless anodized
- Suitable for single or double load cell structured platform scales
- Maximum platform size: 400 x 400 mm

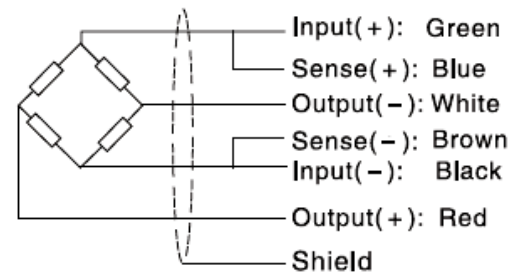
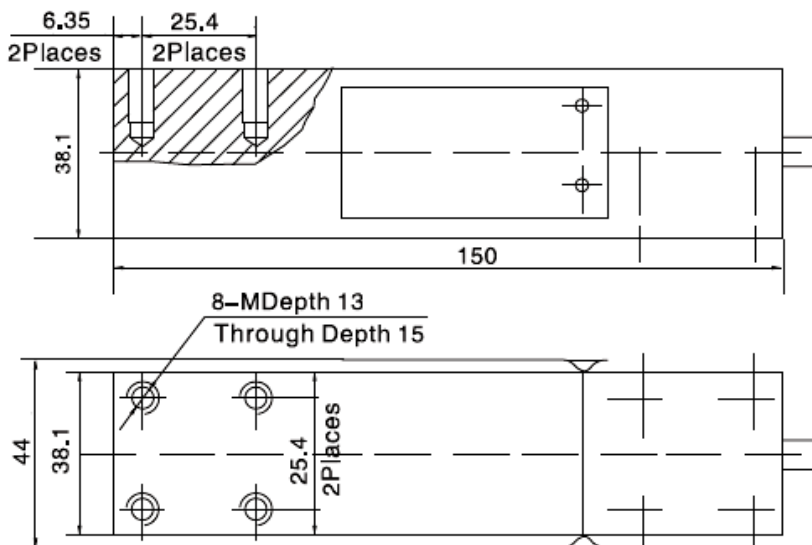


Capacity	Accuracy	Part-Number
50	C3/C4	L6Q-Cx-50kg-3B6
100 kg	C3/C4/C5	L6Q-Cx-100kg-3B6
150 kg	C3/C4/C5	L6Q-Cx-150kg-3B6
200 kg	C3/C4/C5	L6Q-Cx-200kg-3B6
250 kg	C3/C4/C5	L6Q-Cx-250kg-3B6

Specification:

		OIML R60 C3	OIML R60 C4	OIML R60 C5
Accuracy class				
Output sensitivity (= FS)	mV/V	2.0 ± 0.2		
Maximum capacity (E _{max})	kg	50, 100, 150, 200, 250		
Maximum number of load cell intervals (n _{LC})		3000	4000	5000
Ratio of minimum LC verification interval Y = E _{max} / V _{min}		10000	15000	20000
Combined Error	%FS	≤ ± 0.0230	≤ ± 0.0175	≤ ± 0.0140
Minimum dead load	kg	0		
Safe overload	of E _{max}	150 %		
Ultimate overload	of E _{max}	300 %		
Zero balance	of FS	≤ ± 2.0 %		
Excitation, recommended voltage	V	5 ~ 12		
Excitation maximum	V	18		
Terminal resistance, input	Ω	406 ± 6		
Terminal resistance, output	Ω	350 ± 3		
Insulation impedance	MΩ	≥ 5000 (at 50VDC)		
Temperature range, compensated	°C	-10 ~ +40		
Temperature range, operating	°C	-20 ~ +50		
Element material		Aluminium		
Recommended torque on fixation bolts	Nm	10		
Ingress Protection (according to EN 60529)		IP65		

Outline Dimensions in mm



- Dimensions and specifications are subject to change without notice.

Wiring:

- Adopt a shielded, 6 conductor cable, and cable jacket is PVC.
- Cable length: 3.0 ± 0.05m.
- Cable diameter: 5.0 ± 0.2mm.
- Shield not connected to element.

Screw hole	M
Metric	M6
Imperial	1/4-20UNC-2B