

OIML test certificate no. D09-05.19
 OIML C of C no. R60/2000-CN1-06.05
 OIML test certificate no. TC8010 rev 0
 OIML C of C no. R60/2000-NL1-11.28
 NTEP certificate no. 12-022

- Stainless steel IP67 beam load cell
- Suitable for floor scales, automobile test facilities, hopper scales, and other electronic weighing devices
- Metric and Imperial capacities and dimensions

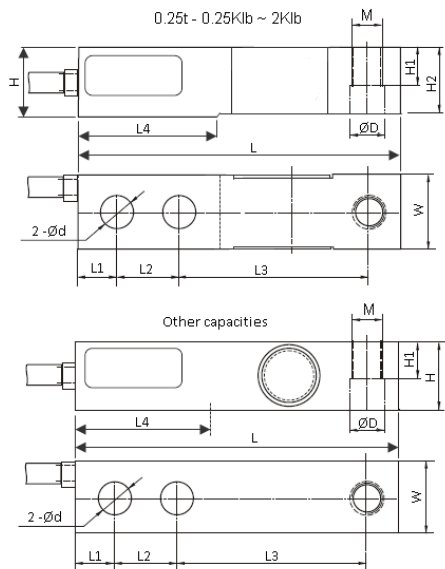
| Capacity | Accuracy | Part-Number |
|---------------------|-----------------|-------------------------|
| 250 kg ¹ | C3 ¹ | B8D-C3-250kg-6B-SC(-W6) |
| 0.5 t | C3 | B8D-C3-0.5t-6B-SC(-W6) |
| 1 t | C3 | B8D-C3-1t-6B-SC(-W6) |
| 2 t | C3 | B8D-C3-2t-6B-SC(-W6) |
| 5 t | C3 | B8D-C3-5t-6B-SC(-W6) |

Specification:

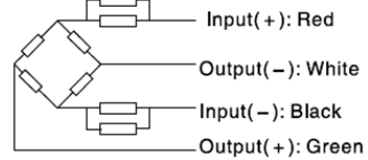
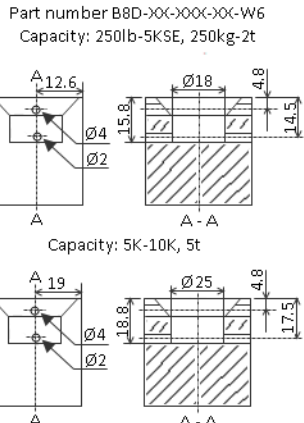
| Accuracy class | OIML R60 C3 ¹ | | | | N5 |
|---|-----------------------------|---------------------|-----------|----------------------|--|
| | Output sensitivity (= FS) | mV/V | | | |
| | t | 0.25 ¹ | 0.5, 1, 2 | 5 | 3.0 ± 0.008 |
| Maximum capacity (E _{max}) | lbs | | | | 250, 500, 750, 1k, 1.5k, 2k, 2.5k, 3k, 4k, 5kSE, 5k, 7.5k, 10k, 15k, 20k |
| Maximum number of load cell intervals (n _{LC}) | 3000 | | | | |
| Ratio of minimum LC verification interval Y = E _{max} / v _{min} | | 10000 | 7500 | 9000 | Check certificate 12-022 |
| Combined Error | %FS | ≤ ± 0.0200 | | | |
| Minimum dead load | kg | 0 | | | |
| Safe overload | of E _{max} | 150 % | | | |
| Ultimate overload | of E _{max} | 300 % | | | |
| Zero balance | of FS | < ± 1.0 % | | | |
| Excitation, recommended voltage | V | 5 ~ 12 | | | |
| Excitation maximum | V | 18 | | | |
| Terminal resistance, input | Ω | 350 ± 3.5 | | | |
| Terminal resistance, output | Ω | 350 ± 3.5 | | | |
| Insulation impedance | MΩ | ≥ 5000 (at 50VDC) | | | |
| Temperature range, compensated | °C | -10 ~ +40 | | | |
| Temperature range, operating | °C | -35 ~ +65 | | | |
| Element material | | Stainless steel | | | |
| Ingress Protection (according to EN 60529) | | IP67 | | | |
| Recommended torque on fixation bolts | Nm | M12:100 | | M18:200 | M24:700 |
| ATEX classification (optional) | | II1G Ex ia II1C T4 | | II1D Ex iaD 20 T73°C | II3G nL IIC T4 |

Note 1: 250kg capacity is a bending type product. 250kg is approved up to C5 with Y=10.000. Please check with Zemic Europe for availability.

Outline Dimensions in mm



| Capacity | L | L1 | L2 | L3 | d | H | W | D | H1 | L4 | H2 | M |
|--------------------------------------|------------------|----------------|---------------|-----------------|-------------------------|-----------------|-----------------|-----------------|-----------------|-----------------|-----------------|----------------------------|
| 0.25t 250lb,500lb, 750lb,1k,2k | 130 (5.12) | 15.7 (0.62) | 25.4 (1.0) | 76.2 (3.0) | 13.46 (0.53) | 30.2 (1.19) | 30.7 (1.20) | 13.4 (0.53) | 14.23 (0.56) | 57.15 (2.25) | 28.45 (1.12) | M12-6H 1/2-20UNF-2B |
| 0.5t,1t,2t 2.5K,3K, 4K,5KSE | 130 (5.12) | 15.7 (0.62) | 25.4 (1.0) | 76.2 (3.0) | 13.4 (0.52) | 31.32 (1.23) | 31.32 (1.23) | 13.4 (0.53) | 15.57 (0.61) | 54 (2.12) | | M12-6H 1/2-20UNF-2B |
| 5t 5K,7.5K 10K,15K | 171 (6.73) | 19 (0.75) | 38.1 (1.5) | 95.2 (3.75) | 20.65 19.8 (0.78) | 36.8 (1.45) | 36.8 (1.45) | 19.8 (0.78) | 17.78 (0.7) | 76 (2.99) | | M20x2.5-6H 3/4-16UNF-2B |
| 20K | 222.25 (8.75) | 25.4 (1.0) | 50.8 (2.0) | 120.7 (4.75) | 26.9 (1.06) | 49.5 (1.95) | 49.5 (1.95) | 27.56 (1.08) | 24.78 (0.97) | 100 (3.95) | | 1-12UNF-2B |



Wiring:

- Shielded, 4 conductor cable. Cable: Ø5 mm.
- Standard cable length: 6m.
- Cable type and cable length for customer's own application are available on request.
- Shield not connected to element.

Please visit our website WWW.ZEMIC.NL for the most actual information.

Nr. 2012.07 B8D Rev5