

Capacity	Accuracy	Part-Number
150 kg ¹	C3	BM8D-C3-150kg-6B-G1
300 kg ¹	C3	BM8D-C3-300kg-6B-G1
500 kg	Cx	BM8D-Cx-500kg-6B
1 t	Cx	BM8D-Cx-1t-6B-SC
1.5 t	Cx	BM8D-Cx-1.5t-6B
2 t	Cx	BM8D-Cx-2t-6B-SC
2.5 t	Cx	BM8D-Cx-2.5t-6B
3 t	Cx	BM8D-Cx-3t-6B
5 t	Cx	BM8D-Cx-5t-6B
7.5 t	Cx	BM8D-Cx-7.5t-6B
10 t	Cx	BM8D-Cx-10t-6B



- Stainless steel beam load cell
- Hermetically sealed IP68
- Suitable for platform, hopper and pallet scales
- High accuracy up to 6000 divisions approved
- Wide range of capacities



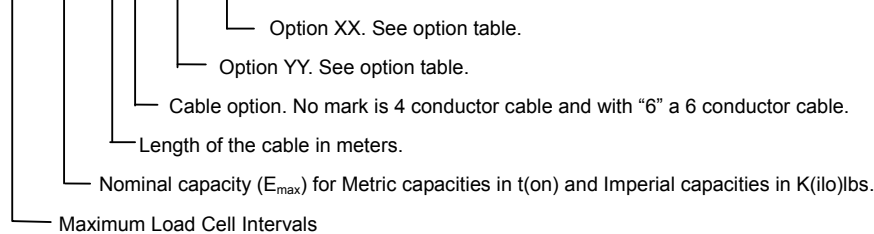
Specification:

Accuracy class		OIML R60 C3	OIML R60 C4	OIML R60 C5	OIML R60 C6
Maximum capacity (E _{max})	t	0.15 ¹ , 0.3 ¹ , 0.5, 1, 1.5, 2, 2.5, 3, 5, 7.5, 10			0.5, 1, 1.5, 2, 2.5
Output sensitivity (= FS)	mV/V ²	2.0 ± 0.04 / 3.0 ± 0.08			
Current calibration	SC	See option table			
Maximum number of load cell intervals (n _{LC})	n _{max}	3000	4000	5000	6000
Ratio of minimum LC verification interval Y = E _{max} / V _{min}	Y	10000	15000	20000	20000
Measuring principle		Bending till 0.3t		Shear	
Combined Error	%FS	≤ ± 0.0230	≤ ± 0.0175	≤ ± 0.0140	≤ ± 0.0116
Safe overload	of E _{max}	150 %			
Ultimate overload	of E _{max}	300 %			
Zero balance	of FS	≤ ± 1.0 %			
Excitation, recommended voltage	V	5 ~ 12			
Excitation maximum	V	18			
Terminal resistance, input	Ω	350 ± 3.5			
Terminal resistance, output	Ω	350 ± 3.5			
Insulation impedance	MΩ	≥ 5000 (at 50VDC)			
Temperature range, compensated	°C	-10 ~ +40			
Temperature range, operating	°C	-35 ~ +65			
Element material		Stainless steel			
Recommended torque on fixation bolts	Nm	M12:100	M20:250	M24:700	
Ingress Protection (according to EN 60529)		IP68			
ATEX classification (optional)		II1G Ex ia II1C T4	II1D Ex iaD 20 T73°C	II3G nL IIC T4	

Note 1: OIML approval only for C3. Note 2: See option table for standard version and options

Ordering Info:

BM8D - CX - 1.0t - 6BX - YY - XX



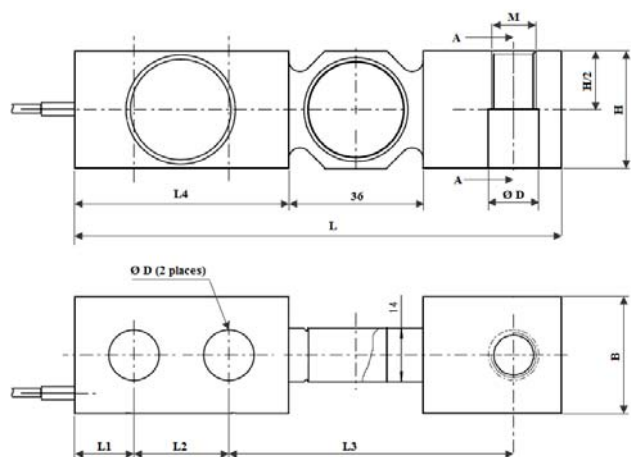
Capacity	Options			XX	
	G1 (2mV/V-SC)	YY	XX		
		SC (3mV/V-SC)	None (3mV/V)	W6 (T-end)	
0.15t	Standard	Not available	Not Available	Option only in combination with G1 option	
0.3t		Not available	Not Available		
0.5t		Option	Standard		
1t		Standard	Option		
1.5t		Option	Standard		
2t		Standard	Option		
2.5t		Option	Option		Standard
3t					
5t					
7.5t					
10t				Not Available	

Please visit our website WWW.ZEMIC.NL for the most actual information

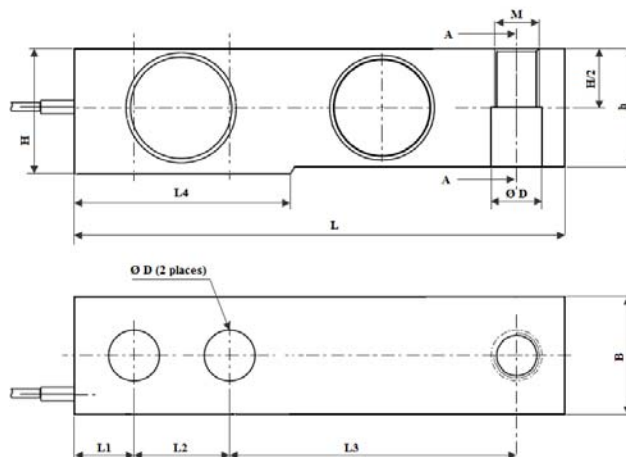
Nr. 2012.05 BM8D Rev7

Outline Dimensions in mm

150kg – 300kg (Bending)

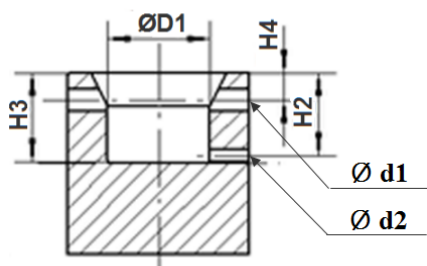


Other capacities (Shear)



Dimension / Capacity	L	L1	L2	L3	L4	B	H	h	ØD	M
0.15t - 0.3t	130	15.7	25.4	76.2	57.1	31.3	31.3	24.8	13.5	M12 x 1,75
0.5t								26.0		
1t								28.0		
1.5t - 2t										
2.5t - 5t	171	19	38.1	95.2	76.2	36.8	36.8	34.8	20.5	M20 x 2,5
7.5t - 10t	222	25.4	50.8	120.7	101.6	49.5	49.5	47.5	26.9	M24 x 2

Option W6 Dimensions Loading Hole



Section A-A

Dimension / Capacity	ØD1	Ød1	Ød2	H2	H3	H4
0.15t - 0.3t	18	4	2	14.5	15.8	4.8
0.5t						
1t						
1.5t - 2t				17.5	18.8	
2.5t - 5t				25		

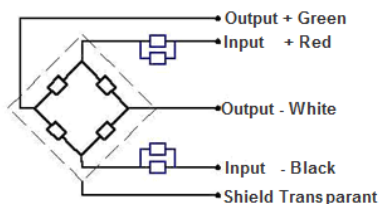
Standard cable is a shielded, 4 conductor cable: Ø 5mm.

Standard cable length: 6m.

Shield is not connected to the element.

Cable type and length can be changed on customer's request.

4-wire:



6-wire:

