

OIML test certificate no. D09-10.23

OIML C of C no. R60/2000-DE1-10.11

NTEP certificate no. 12-006

Capacity	Accuracy	Part-Number
50kg	C3/C4	L6T-CX-50kg-3B6
75kg	C3/C4	L6T-CX-75kg-3B6
100kg	C3/C4	L6T-CX-100kg-3B6
150kg	C3/C4	L6T-CX-150kg-3B6
200kg	C3/C4	L6T-CX-200kg-3B6
250kg	C3/C4	L6T-CX-250kg-3B6
300kg	C3	L6T-C3-300kg-3B6
500kg	C3	L6T-C3-500kg-3B6
635kg	C3	L6T-C3-635kg-3B6
1000kg	C3	L6T-C3-1000kg-3B6

RoHS



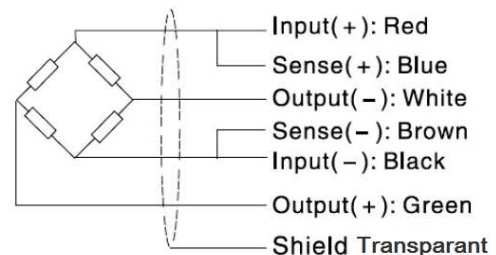
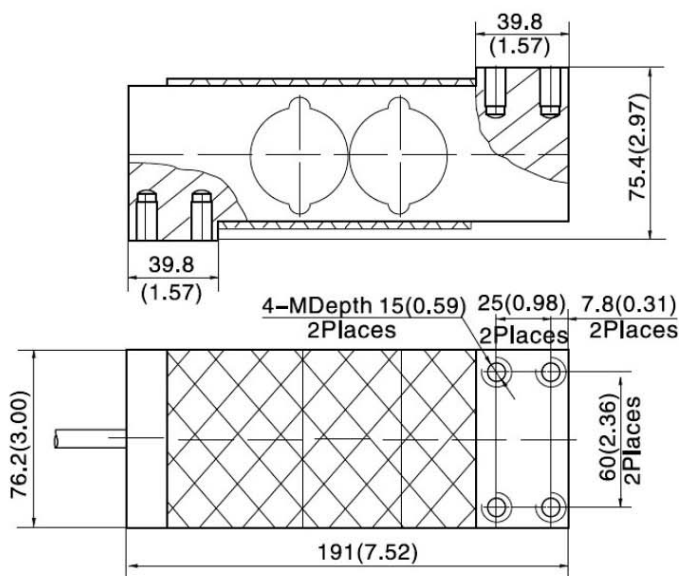
- Aluminium-Alloy IP65 single point load cell
- Colourless anodized
- Suitable for single or double load cell structured platform scales
- Maximum platform size: 800 x 800 mm



Specifications:

Accuracy class		C4	C3
Output sensitivity (= FS)	mV/V	2.0 ± 0.2	
Maximum capacity (E _{max})	kg	50, 75, 100, 150, 200, 250	50, 75, 100, 150, 200, 250, 300, 500, 635, 1000
	lb	100, 150, 200, 300, 400, 500	100, 150, 200, 300, 400, 500, 600, 1000, 1250, 2000
Maximum number of load cell intervals (n _{LC})		4000	3000
Ratio of minimum LC verification interval Y = E _{max} / V _{min}		6500	6500 15000
Combined Error	%FS	≤ ± 0.017	≤ ± 0.023
Safe overload	of E _{max}	150 %	
Ultimate overload	of E _{max}	300 %	
Zero balance	of FS	≤ ± 2.0 %	
Excitation, recommended voltage	V	5 ~ 12	
Excitation maximum	V	18	
Terminal resistance, input	Ω	409 ± 6	
Terminal resistance, output	Ω	350 ± 3	
Insulation impedance	MΩ	≥ 5000 (at 50VDC)	
Temperature range, compensated	°C	-10 ~ +40	
Temperature range, operating	°C	-20 ~ +50	
Element material		Aluminium	
Ingress Protection (according to EN 60529)		IP65	
Recommended torque on fixation bolts	Nm	M8 (50-500kg): 20	M8 (635-1000kg): 25
Corner correction		0.02% load value / 100 mm	

Outline Dimensions in mm (Inch)



- Dimensions and specifications are subject to change without notice.

Wiring:

- Adopt a shielded, 6 conductor cable, and cable jacket is PVC.
- Cable length: 3.0 ± 0.1m.
- Cable diameter: 5.0 ± 0.2mm.
- Shield not connected to element.

	Metric	Imperial
M	M8	5/16-18UNC

Please visit our website WWW.ZEMIC.NL for the most actual information

Nr. 2012.02 L6T Rev7